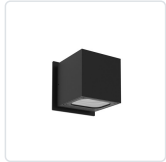


# STATO EW33104-UNV

WALL

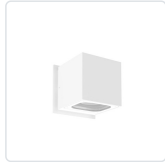
PROJECT



EW33104-BK-UNV  
Black



EW33104-GH-UNV  
Graphite



EW33104-WH-UNV  
White

## SPECIFICATION DETAILS

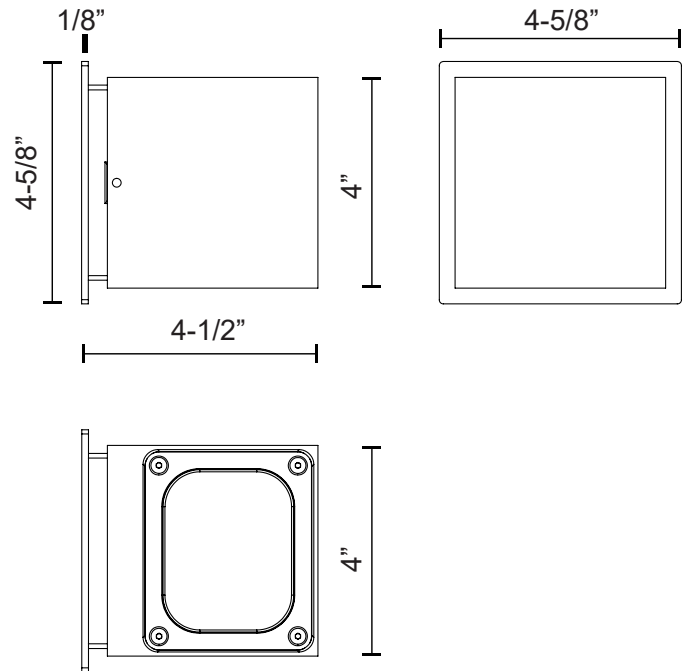
<b>Fixture Dimensions</b>	W4" x H4" E4-1/2"
<b>Light Source</b>	LED with DC Driver
<b>Wattage</b>	6W
<b>Total Lumens</b>	840lm
<b>Delivered Lumens</b>	BK-420lm
<b>Voltage</b>	120-277V
<b>Color Temperature</b>	3000K
<b>CRI (Ra)</b>	80CRI
<b>Optional Color Temps</b>	2700K - 5000K Available, Minimum Order Quantities Apply
<b>LED Rated Life</b>	50,000 hours
<b>Dimming</b>	100% - 10%, TRIAC or ELV Dimmer (Not Included)
<b>Diffuser Details</b>	Parabolic Aluminum Reflector
<b>Glass Details</b>	Clear Glass
<b>Location</b>	Wet, IP65
<b>Illumination Direction</b>	Downlight
<b>Mounting Style</b>	All Orientation; Wall;
<b>Canopy Dimensions</b>	W4-5/8" x H4-5/8" x E1/8"

\* For custom options, consult factory for details.

\* For warranty information, please visit [www.kuzcolighting.com/warranty](http://www.kuzcolighting.com/warranty)

## DESCRIPTION

Architectural exterior wall sconce, die-cast cubic aluminum body with clear tempered glass cover and multi-faceted aluminum reflector maximizes light output.



# KUZCO

CANADA: 19054 28TH AVENUE - SURREY, BC V3Z 6M3

USA: 3035 E. LONE MOUNTAIN ROAD - LAS VEGAS, NV 89081

[WWW.KUZCOLIGHTING.COM](http://WWW.KUZCOLIGHTING.COM)

© 2020 KUZCO LIGHTING. ALL RIGHTS RESERVED.

## COMMENT